



2D MEMS Accelerometer

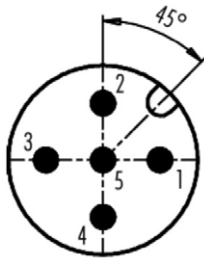
Micro Electronic Mechanical Systems (MEMS) accelerometers provide a compact and effective method for making static and dynamic measurements of acceleration.

Although this technology was originally developed for automotive safety air-bags it is now also used in mobile phones, and games console controllers as well as finding multiple applications in industry.

Bachmann offers this sensor to provide a 2D measurement of acceleration. The output is via a standard 5 pin M12 connector

Uses of the Bachmann Monitoring 2D MEMS sensor are in the field of structural motion measurement. The output can be used for blade unbalance assessment (mass and aerodynamic), structural health monitoring and tower natural frequency assessment.

Item	Item-No.
2D MEMS Accelerometer	00027803-01

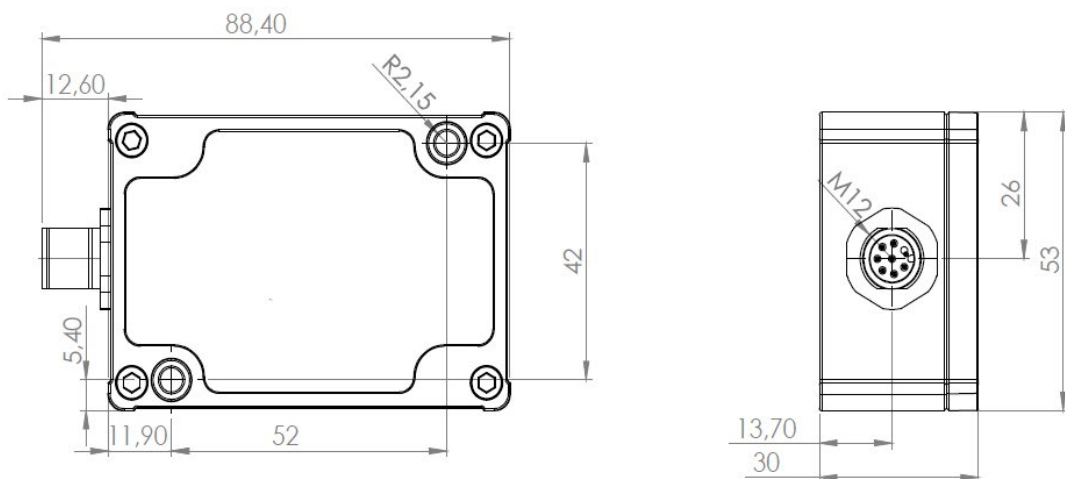


Pin	Color	Function
1	● brown	Supply Voltage
2	○ white	Signal 1 (X)
3	● blue	GND
4	● black	Signal 2 (Y)
5	● grey	Signal 3 ¹⁾

1) provided for compatibility with 3D Sensor

2D MEMS Accelerometer**Technical Data**

Supply voltage	10.8 to 30 VDC
Signal type	4 to 20 mA
Sensitivity	4 mA/g
Cross sensitivity	5 %
Range	±2.0 g
Non linearity	± 3 %
Zero offset	Maximum 5 %
Operating temperature range	-40 to +85 °C
Protection class	IP67
Shock resistance	1,000 g
Number of axes	2
Max. frequency	100 Hz



Dimensions in [mm]